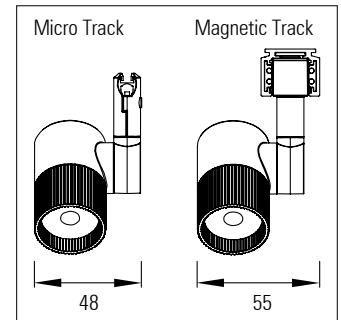
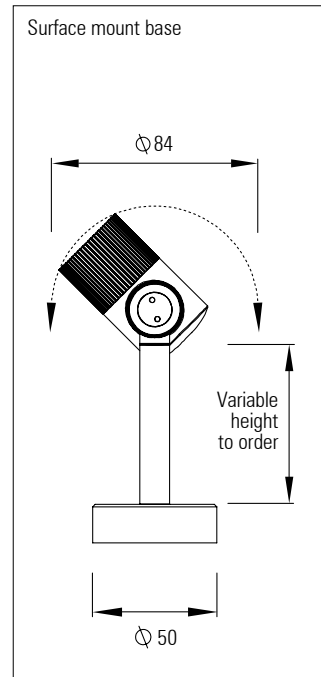
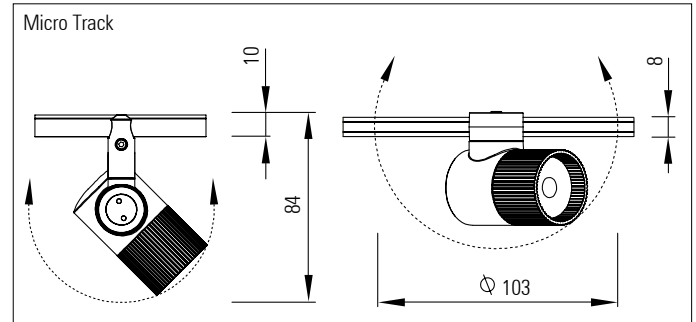
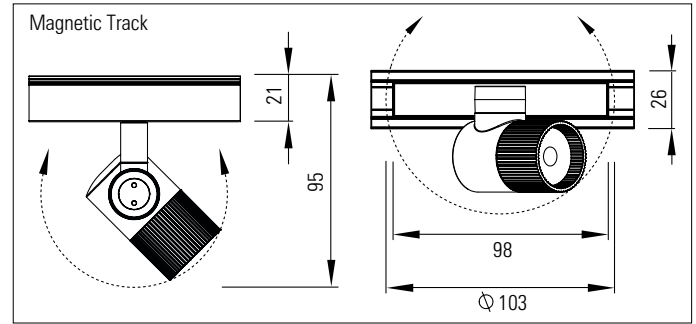
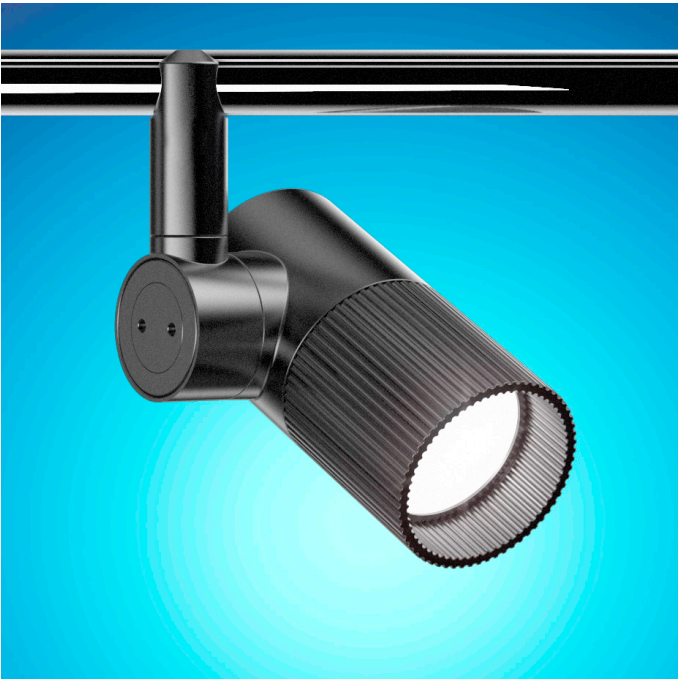


## Mini Spotlight IP20

Miniature interior LED spotlight



Up to 350 Lumens per spotlight

### Mini Spotlight IP20

Miniature interior LED spotlight with either LV Micro Track, LV Magnetic Track or surface mount base

#### Product description:

Miniature 4 Watt spotlight with integral DC to DC LV constant current driver up to 1.3 Amps.

Each spotlight comprises 1 x Cree XP-L or XHP 35 LED with a Ledil Emily lens

A wide range of LED colour temperature and CRI options are available. Various beam angle options are available

Integral DC to DC LV constant current driver

Spotlight rotatable in two axes

The spotlight can be used with the Micro Track, which is one of the smallest section low voltage tracks available

Alternatively a low voltage magnetic track can be used, which allows easy installation and movement of the spotlights on-site

The magnetic track has separate track circuits for low voltage power and dimming ensuring excellent dimming control with all protocols

12 or 24 Volt DC supply

Various dimming options available: 1 - 10, DALI, DMX

Satin black, satin white or any RAL colour finish

Product Code	IP	LED Type	Watts per spotlight	Colour Temp. (K)	CRI	Optics	Track type	Finish
RAD LED XLP SP MINI CREE IP20	20	Cree: XP-L	4 W	27=2,700k 30=3,000k 40=4,000k 45=4,500k 50=5,000k	80 90	Ledi Emily lens & Cree XP-L LED:  8°, 42°, 74°, Asymmetric	Micro Track  Magnetic Track	Powder coat: Black White Any RAL colour
RAD LED XHP 35SP MINI CREE IP20		Cree: XHP-35	5 W				Surface mount base (specify stem height)	